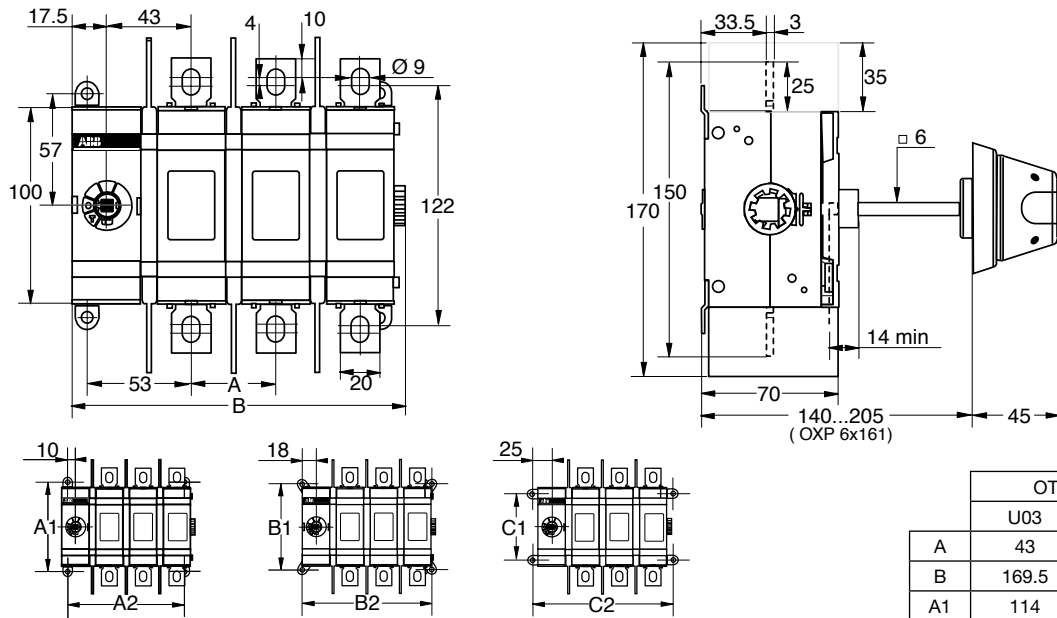


Approximate dimensions OT200_

Disconnect
switches
Non-fusible

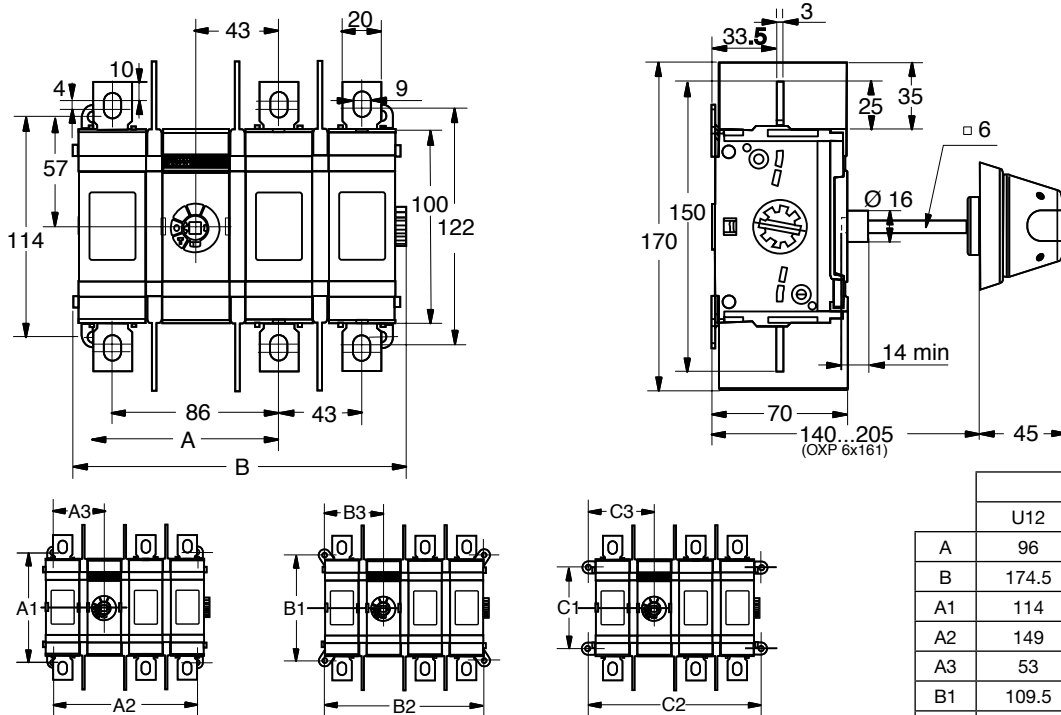
← 00.00 → Millimeters

OT200U03, -04



	OT200 (mm)	
	U03	U04
A	43	43
B	169.5	212.5
A1	114	114
A2	149	192
B1	109.5	109.5
B2	165	208
C1	84	84
C2	179	222

OT200U12, -13, -22



	OT200 (mm)		
	U12	U13	U22
A	96	96	139
B	174.5	217.5	217.5
A1	114	114	114
A2	149	192	192
A3	53	53	96
B1	109.5	109.5	109.5
B2	165	208	208
B3	61	61	104
C1	184	84	84
C2	179	222	222
C3	68	68	111